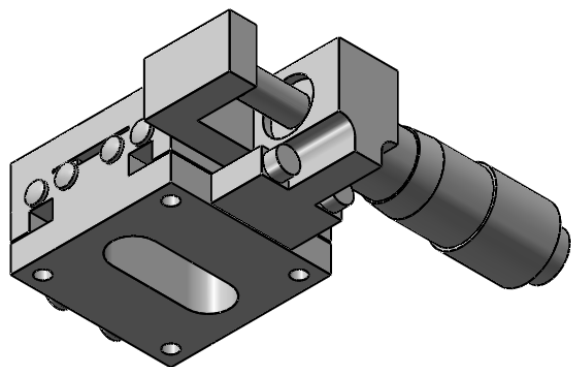
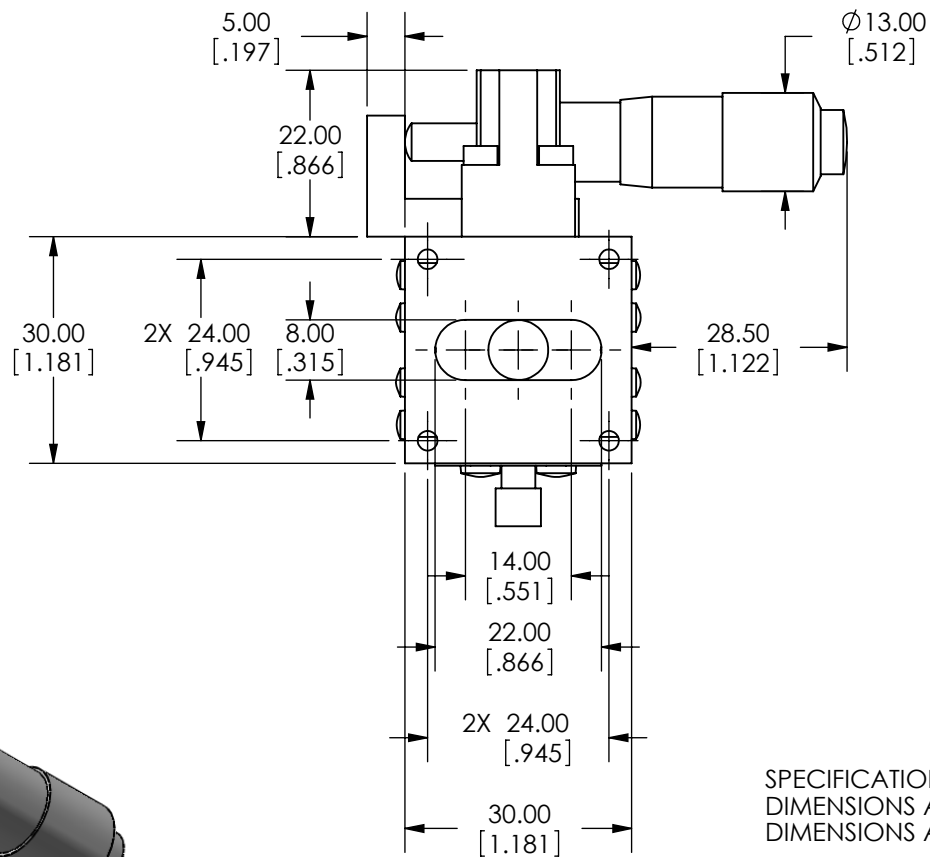
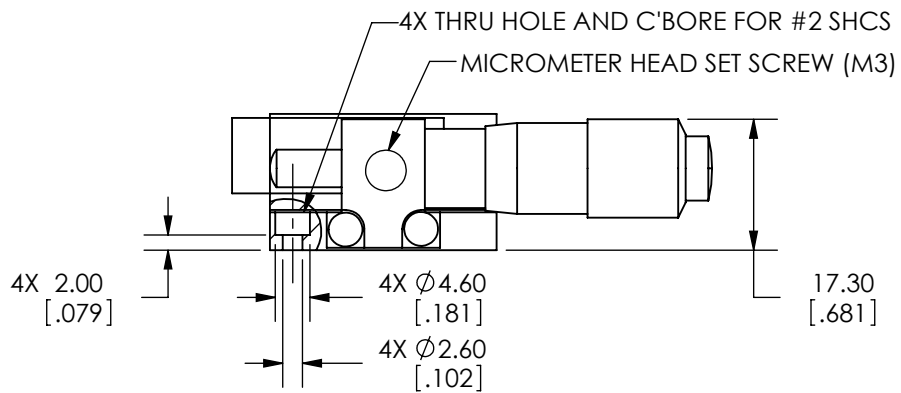
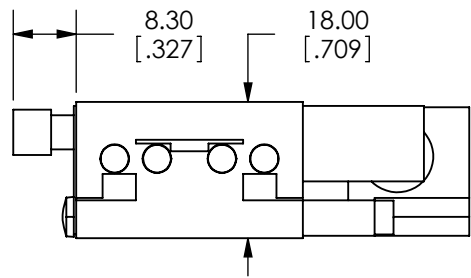


SPECIFICATIONS SUBJECT TO CHANGE WITHOUT NOTICE
 DIMENSIONS ARE FOR REFERENCE ONLY
 DIMENSIONS ARE IN mm [INCHES]

 Edmund Optics	
TITLE	30mm CENTER DRIVE, TH, ENGLISH MICROMETER STAGE
DWG NO	66397
SHEET 1 OF 2	REV 000



SPECIFICATIONS SUBJECT TO CHANGE WITHOUT NOTICE
 DIMENSIONS ARE FOR REFERENCE ONLY
 DIMENSIONS ARE IN mm [INCHES]

EO® Edmund Optics

TITLE	30mm CENTER DRIVE, TH, ENGLISH MICROMETER STAGE		
DWG NO	66397	SHEET 2 OF 2	REV 000

Enable 3D View