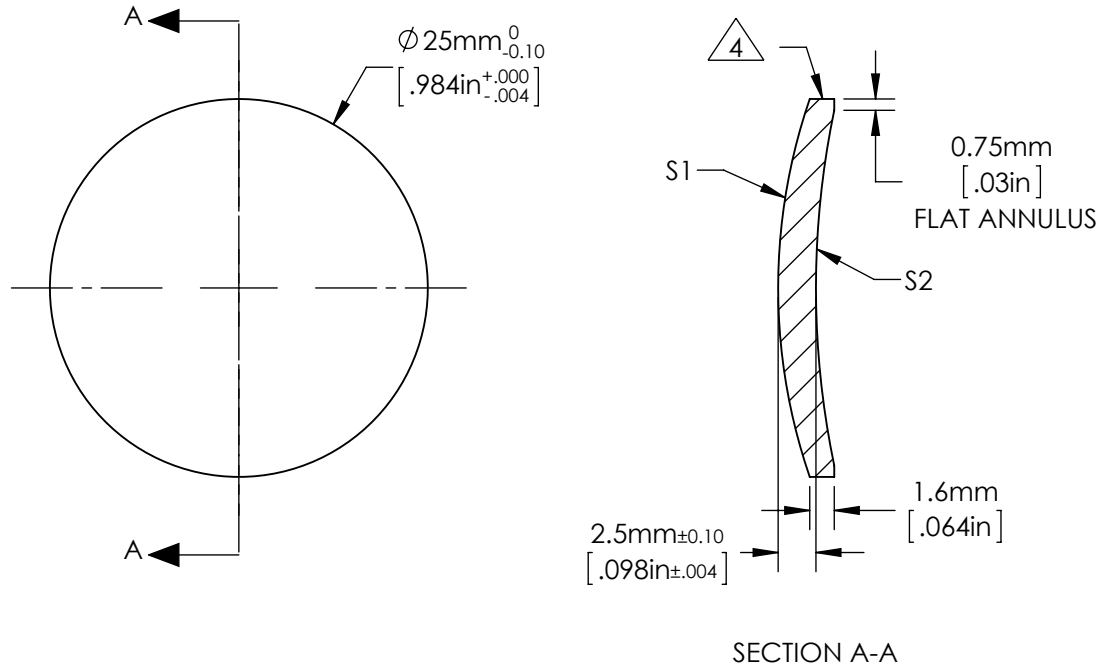



NOTES:

1. ALLOWABLE OPTICAL MATERIAL:
OPTICAL GRADE GERMANIUM
2. CENTERING TOLERANCE (AT 587.6nm):
BEAM DEVIATION: <3 ARCMINUTES
3. COATING (APPLY ACROSS COATING APERTURE)
S1 & S2: T(AVG) > 94% FROM 3.0-5.0µm
R(AVG) <1.0% FROM 3.0-5.0µm

 EDGES DIAMOND TURNED



**FOR INFORMATION ONLY:
DO NOT MANUFACTURE PARTS TO THIS DRAWING**

	S1	S2	EFL (AT 10.6µm)	(35.00)	 Edmund Optics®	
SHAPE	CONVEX	CONCAVE	BFL (AT 10.6µm)	(33.29)		TITLE
RADIUS	38.43	57.61	ALL DIMS IN	mm	DWG NO	87963
SURFACE QUALITY	60 - 40	60 - 40				
CLEAR APERTURE	≥ ø22.50	≥ ø22.50				
BEVEL MAX FACE	0.3mm x 45°	0.3mm x 45°				