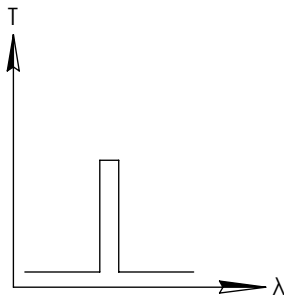
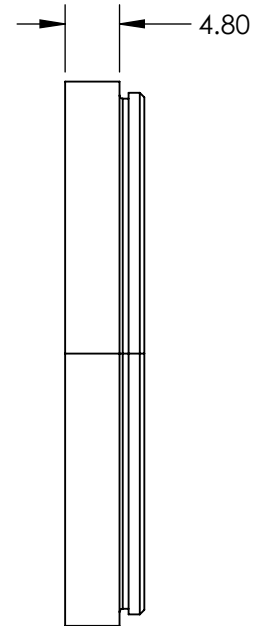
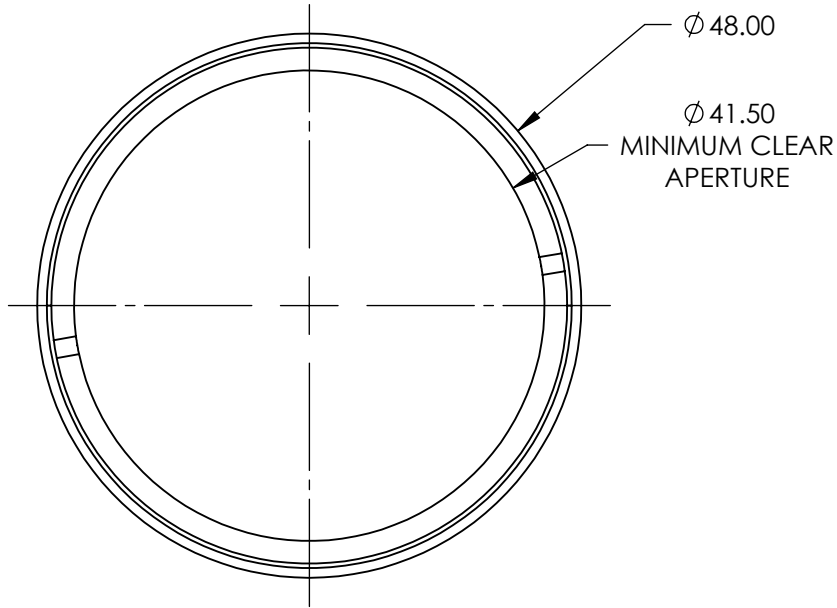
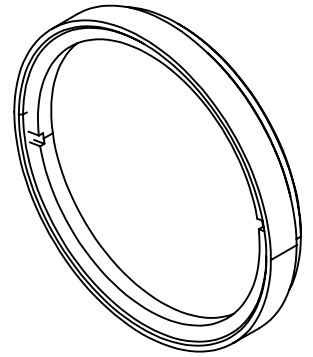


**FOR INFORMATION ONLY:  
DO NOT MANUFACTURE  
PARTS TO THIS DRAWING**



IMAGING FILTER

REV. A	VALUE
CENTER WAVELENGTH (CWL)	660 ± 2nm
FULL WIDTH HALF MAX (FWHM)	66 ± 2nm
AVERAGE TRANSMISSION (%)	≥90
BLOCKING	200 - 1120
SURFACE QUALITY	80-50
CONSTRUCTION	MOUNTED IN BLACK ANODIZED ALUMINUM RING
COATING TYPE	HARD COATED
DURABILITY	MIL-C-48497A, SECT. 3.4.1
ENVIRONMENTAL	MIL-STD-801F, SECT. 507.4

SPECIFICATIONS SUBJECT TO CHANGE WITHOUT NOTICE  
DIMENSIONS ARE FOR REFERENCE ONLY

**EO**® Edmund Optics®

THIRD ANGLE PROJECTION

TITLE	DARK RED M46.0 X 0.75 IMAGING FILTER		
DWG NO	89830	SHEET	1 OF 1

ALL DIMS IN

mm