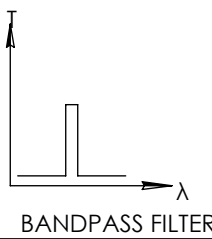
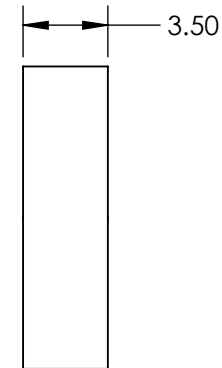
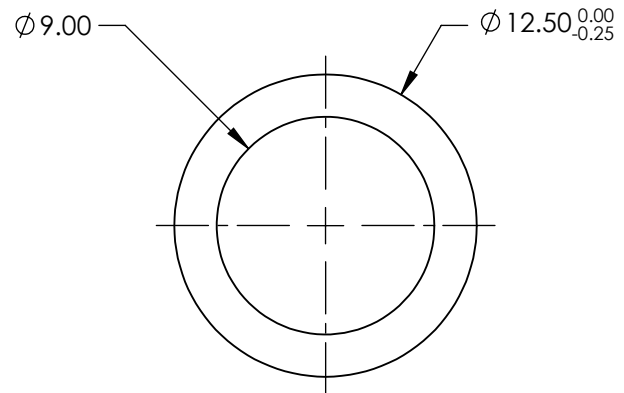
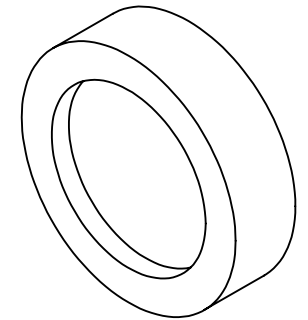


**FOR INFORMATION ONLY:
DO NOT MANUFACTURE
PARTS TO THIS DRAWING**



	VALUE
OPTICAL DENSITY	≥ 4.0
CENTER WAVELENGTH (CWL)	232 +3.0/-0.0 nm
FULL WIDTH HALF MAX (FWHM)	10 \pm 2 nm
MINIMUM TRANSMISSION	>15 %
BLOCKING	200 - 10000nm
SURFACE QUALITY	80-50
CONSTRUCTION	MOUNTED IN BLACK ANODIZED RING
COATING TYPE	TRADITIONAL COATED

SPECIFICATIONS SUBJECT TO CHANGE WITHOUT NOTICE
DIMENSIONS ARE FOR REFERENCE ONLY



THIRD ANGLE PROJECTION	TITLE	$\phi 12.5\text{mm}$, 232nm x 10nm, MOUNTED BANDPASS FILTER	
ALL DIMS IN mm	DWG NO	67737	SHEET 1 OF 1