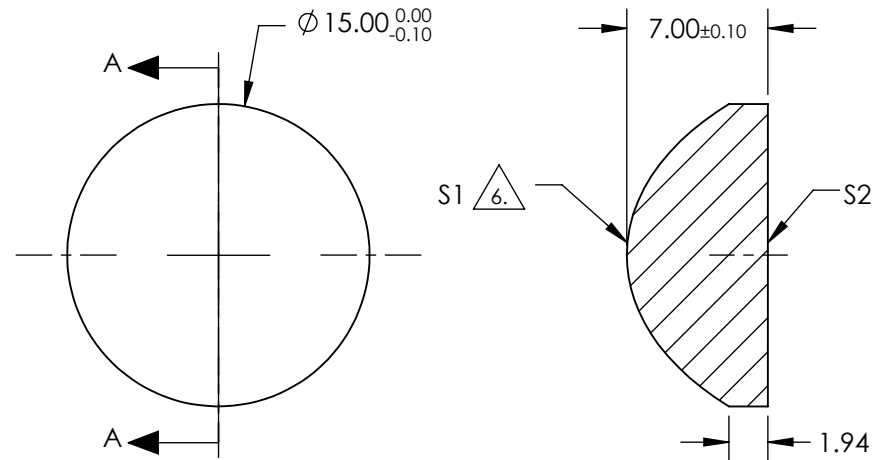


**NOTES:**

1. SUBSTRATE: L-BAL35
2. COATING (APPLY ACROSS CLEAR APERTURE)  
 S1: R(avg) ≤1.5% @ 600 - 1050nm  
 S2: R(avg) ≤1.5% @ 600 - 1050nm
3. EDGES: FINE GROUND
4. CENTERING: 3-5 ARCMIN
5. ASPHERE FIGURE ERROR: 0.75 μm RMS

△ ASPHERIC SURFACE DESCRIBED BY (REF. COEFFICIENT TABLE)

$$Z_{ASPH}(Y) = \frac{(\frac{1}{RADIUS}) * Y^2}{1 + \sqrt{1 - (1+k) * (\frac{1}{RADIUS})^2 * Y^2}} + D * Y^2 + E * Y^4 + F * Y^6 + G * Y^8 + H * Y^{10} + J * Y^{12} + L * Y^{14}$$



SECTION A-A

COEFFICIENT TABLE △6.

COEFFICIENT	S1
SEMI-DIAMETER	7.500000E+00
(1/RADIUS)	0.150875E+00
k	-1.076527E+00
D	0.000000E+00
E	2.396040E-04
F	6.414674E-07
G	7.685840E-09
H	-6.476209E-11
J	0.000000E+00
L	0.000000E+00

**FOR INFORMATION ONLY:  
DO NOT MANUFACTURE  
PARTS TO THIS DRAWING**

SPECIFICATIONS SUBJECT TO CHANGE WITHOUT NOTICE DIMENSIONS ARE FOR REFERENCE ONLY

REV. A	S1	S2	EFL @ 587.6μm	11.25		Edmund Optics®	
SHAPE	CONVEX	PLANO	BFL @ 587.6μm	6.85		TITLE	15mm DIA., 0.66 NUMERICAL APERTURE NIR COATED, ASPHERIC LENS
RADIUS	6.628	INFINITY	THIRD ANGLE PROJECTION		DWG NO	49109	SHEET 1 OF 1
SURFACE QUALITY	60-40	60-40	ALL DIMS IN	mm			
CLEAR APERTURE	90%	90%					
BEVEL MAX	PROTECTIVE AS NEEDED	PROTECTIVE AS NEEDED					