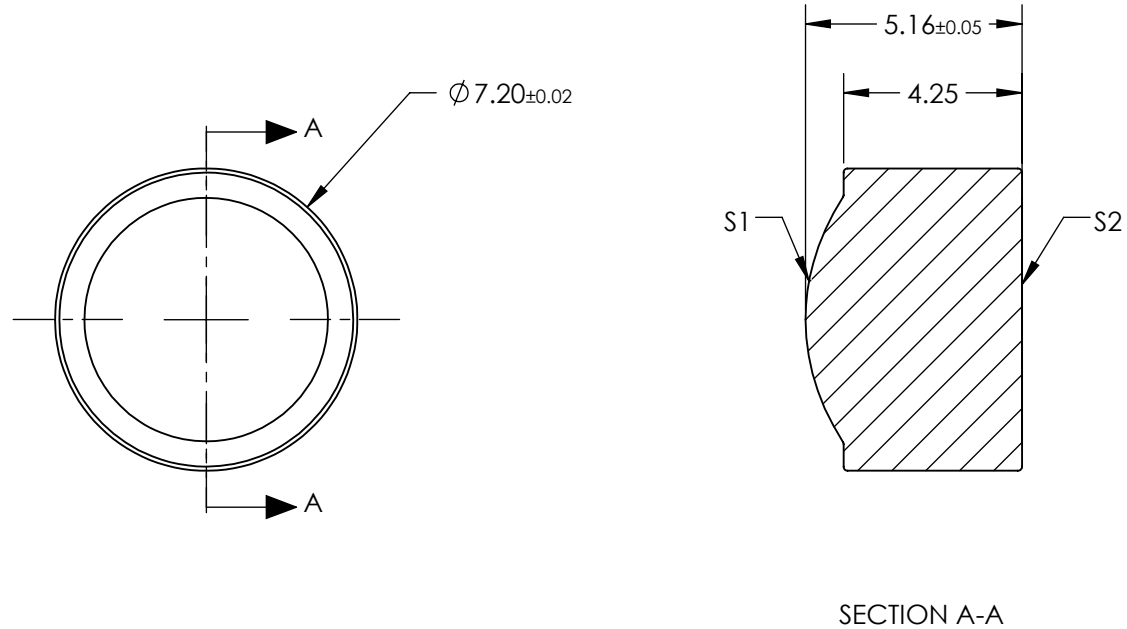



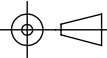
NOTES:

1. SUBSTRATE:
D-ZLAF52LA
2. NUMERICAL APERTURE: 0.4
3. COATING
S1 & S2: R(ABS) < 1.0% @ 600 - 1050nm
4. FOCAL LENGTH TOLERANCE: ±1%
5. TRANSMITTED WAVEFRONT ERROR (λ , RMS): < 0.070



**FOR INFORMATION ONLY:
DO NOT MANUFACTURE
PARTS TO THIS DRAWING**

SPECIFICATIONS SUBJECT TO CHANGE WITHOUT NOTICE DIMENSIONS ARE FOR REFERENCE ONLY

	S1	S2	EFL	6.24	 Edmund Optics®	
			BFL	3.46		
SHAPE	CONVEX	PLANO	THIRD ANGLE PROJECTION 	TITLE	0.40 NA 6.24mm FL 600-1050nm AR COATED, MOLDED ASPHERIC LENS	
SURFACE QUALITY	40-20	40-20		ALL DIMS IN	mm	DWG NO
CLEAR APERTURE	Ø5.00	Ø5.00				SHEET 1 OF 1
BEVEL MAX	PROTECTIVE AS NEEDED	PROTECTIVE AS NEEDED				