

NOTES:

1. SUBSTRATE MATERIAL:
FUSED SILICA

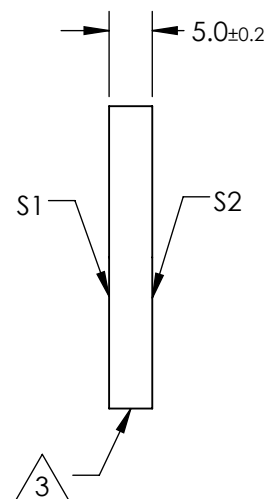
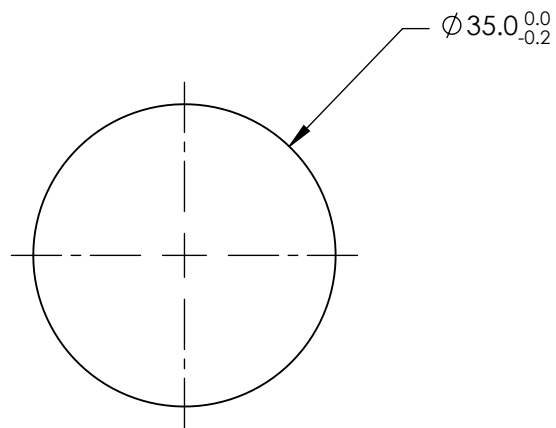
2. COATING (APPLY ACROSS CLEAR APERTURE)

S1: Broadband Dielectric
R(avg) >98% @ 400 - 750nm (0 - 45°) ALL POLARIZATIONS
R(avg) >99% @ 400 - 750nm (0°) ALL POLARIZATIONS
S2: NONE

 FINE GROUND SURFACE

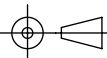
4. RoHS COMPLIANT

**FOR INFORMATION ONLY:
DO NOT MANUFACTURE
PARTS TO THIS DRAWING**




SPECIFICATIONS SUBJECT TO CHANGE WITHOUT NOTICE
DIMENSIONS ARE FOR REFERENCE ONLY

REV. A	S1	S2
SHAPE	PLANO	PLANO
CLEAR APERTURE (%)	90	N/A
SURFACE QUALITY	20-10	COMMERCIAL POLISH
SURFACE FLATNESS	$\lambda/10$ (BEFORE COATING)	N/A
BEVEL	PROTECTIVE AS NEEDED	PROTECTIVE AS NEEDED

THIRD ANGLE PROJECTION 

ALL DIMS IN mm

 **Edmund Optics®**

TITLE: Ø35mm, 400 - 750nm BROADBAND $\lambda/10$ MIRROR

DWG NO: 87373

SHEET 1 OF 1