

**FOR INFORMATION ONLY:
DO NOT MANUFACTURE
PARTS TO THIS DRAWING**

NOTES;

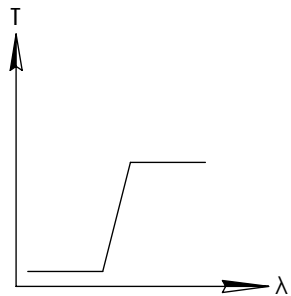
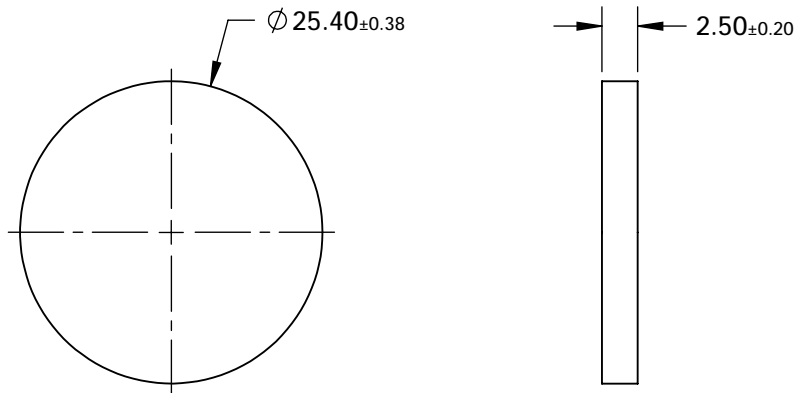
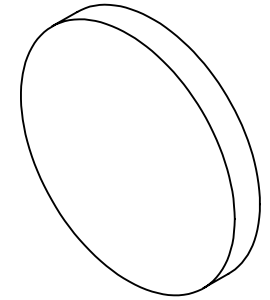
1. COATING(APPLY ACROSS CLEAR APERTURE)

S1:VIS 0°

R(AVG) ≤ 0.4% FROM 425-675nm @ 0° AOI

S2:VIS 0°

R(AVG) ≤ 0.4% FROM 425-675nm @ 0° AOI



LONGPASS FILTER

SPECIFICATIONS SUBJECT TO CHANGE WITHOUT NOTICE
DIMENSIONS ARE FOR REFERENCE ONLY

REV. 001	S1	S2
SHAPE	PLANO	PLANO
PASSBAND LIMIT $1 \lambda_{p1}$	900nm	900nm
CUT-OFF POSITION λ_c	780±9nm	780±9nm
STOPBAND LIMIT λ_s	610nm	610nm
WAVELENGTH	VIS 0	VIS 0
BEVEL	PROTECTIVE AS NEEDED	PROTECTIVE AS NEEDED



ALL DIMS IN mm



TITLE	Ø25.4mm, HOYA RG-780 LONGPASS FILTER
DWG NO	36306
SHEET	1 OF 1