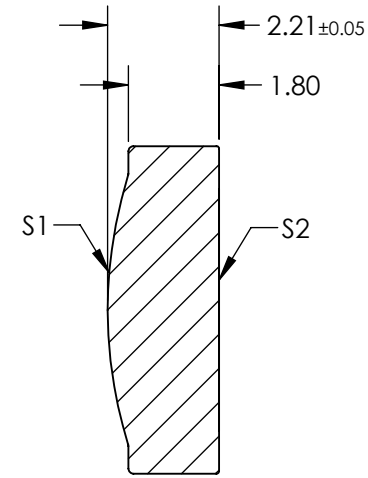
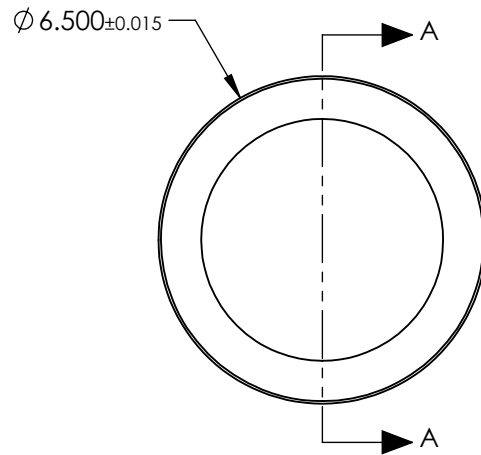


NOTES:

1. SUBSTRATE:
D-ZK3
2. NUMERICAL APERTURE: 0.16
3. COATING
S1 & S2: R (ABS) < 1.0% @ 1050 - 1600nm
4. FOCAL LENGTH TOLERANCE: ±1%
5. TRANSMITTED WAVEFRONT ERROR (λ , RMS): < 0.090



SECTION A-A

**FOR INFORMATION ONLY:
DO NOT MANUFACTURE
PARTS TO THIS DRAWING**

SPECIFICATIONS SUBJECT TO CHANGE WITHOUT NOTICE
DIMENSIONS ARE FOR REFERENCE ONLY

	S1	S2
SHAPE	CONVEX	PLANO
SURFACE QUALITY	40-20	40-20
CLEAR APERTURE	$\text{Ø} 5.38$	$\text{Ø} 5.38$
BEVEL	PROTECTIVE AS NEEDED	PROTECTIVE AS NEEDED

EFL	15.29
BFL	14.00
THIRD ANGLE PROJECTION	
ALL DIMS IN	mm

Edmund Optics®

TITLE

0.16 NA 15.29mm FL 1050-1600nm AR
Coated, Molded Aspheric Lens

DWG NO

37100

SHEET
1 OF 1