

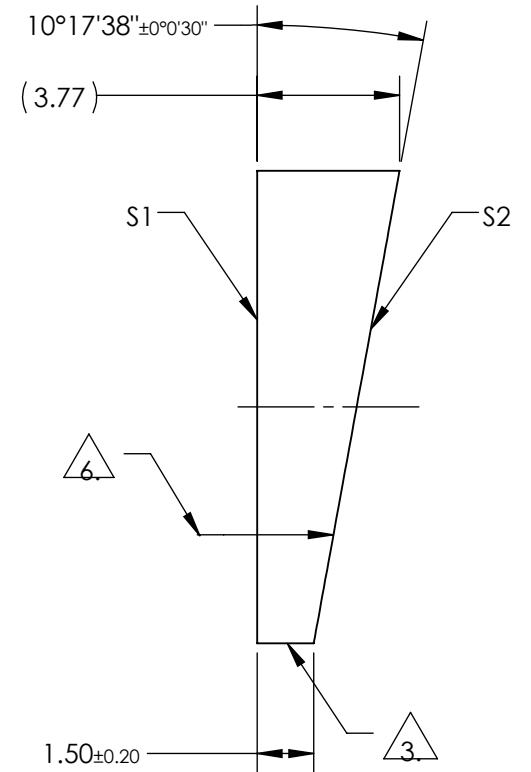
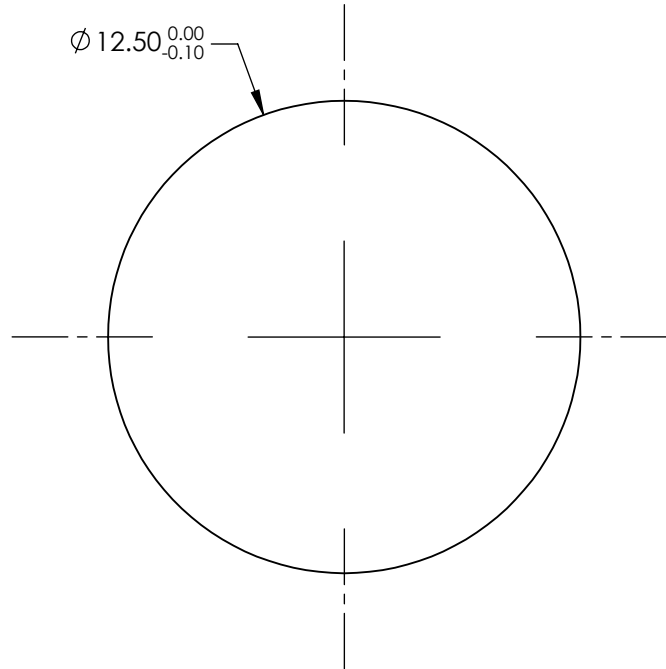
NOTES:

1. SUBSTRATE:
FUSED SILICA
2. COATING (APPLY ACROSS COATING APERTURE)

S1 & S2: 355nm Laser AR Coating
R(ABS) < 0.25% @ 355nm @ 0° AOI

DAMAGE THRESHOLD,
PULSED: 7.5J/cm² @ 20ns, 20Hz @ 355nm

3. FINE GRIND SURFACE
4. POWER, IRREGULARITY, AND SURFACE QUALITY SPECIFICATIONS APPLY ACROSS CLEAR APERTURE
5. IMAGE ORIENTATION: BEAM DEVIATION
6. APPLY ARROW ON EDGE WITH PENCIL OR PERMANENT INK POINTING TOWARDS TITLED SURFACE S2
7. ROHS COMPLIANT



**FOR INFORMATION ONLY:
DO NOT MANUFACTURE
PARTS TO THIS DRAWING**

SPECIFICATIONS SUBJECT TO CHANGE WITHOUT NOTICE
DIMENSIONS ARE FOR REFERENCE ONLY

| | S1 | S2 |
|-------------------------|----------------------|----------------------|
| SHAPE | PLANO | PLANO |
| SURFACE QUALITY | 20-10 | 20-10 |
| MIN CLEAR APERTURE | $\varnothing 11.25$ | $\varnothing 11.25$ |
| MIN COATING APERTURE | $\varnothing 11.25$ | $\varnothing 11.25$ |
| POWER AT 632.8nm | 0.5 RINGS | 0.5 RINGS |
| IRREGULARITY AT 632.8nm | 0.2 RINGS | 0.2 RINGS |
| BEVEL | PROTECTIVE AS NEEDED | PROTECTIVE AS NEEDED |

EO® Edmund Optics®

| | | | |
|------------------------|-------|-----------------------------------|--------------|
| THIRD ANGLE PROJECTION | TITLE | PRISM WEDGE FS 5 DEG 12.5mm 355nm | |
| ALL DIMS IN | mm | DWG NO | 39079 |
| | | | SHEET 1 OF 1 |