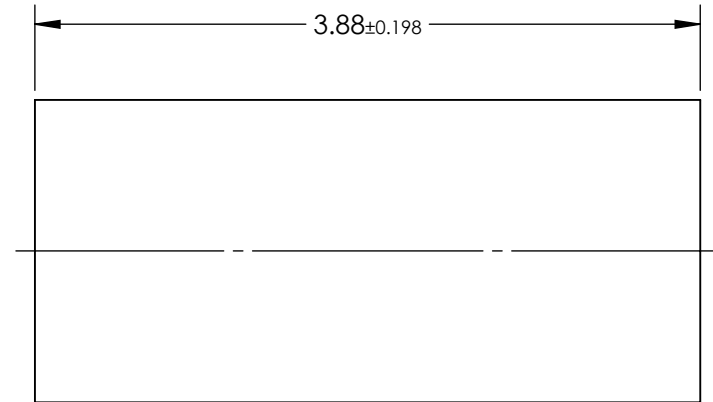
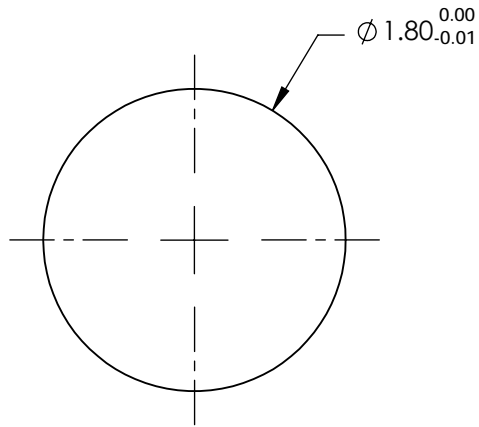


NOTES:

1. SUBSTRATE:  
Alumoscilate Glass Embedded with Silver Ions
2. COATING (APPLY ACROSS COATING APERTURE)  
S1 & S2: Uncoated
3. EFL: 1.70
4. f/# : 0.95
5. NUMERICAL APERTURE: 0.51
6. DESIGN WAVELENGTH: 810nm
7. WORKING DISTANCE: 0.27 - 0.23mm ±0.02
8. ROHS: COMPLIANT



**FOR INFORMATION ONLY:  
DO NOT MANUFACTURE  
PARTS TO THIS DRAWING**

SPECIFICATIONS SUBJECT TO CHANGE WITHOUT NOTICE  
DIMENSIONS ARE FOR REFERENCE ONLY

**EO**® Edmund Optics®

	S1	S2	THIRD ANGLE PROJECTION		TITLE	1.8mm Dia, 810nm DWL, 0.23mm WD, Uncoated, GRIN Lens	
SHAPE	PLANO	PLANO	ALL DIMS IN	mm	DWG NO	64526	SHEET 1 OF 1
SURFACE QUALITY	40-20	40-20					
CLEAR APERTURE	Ø1.62	Ø1.62					