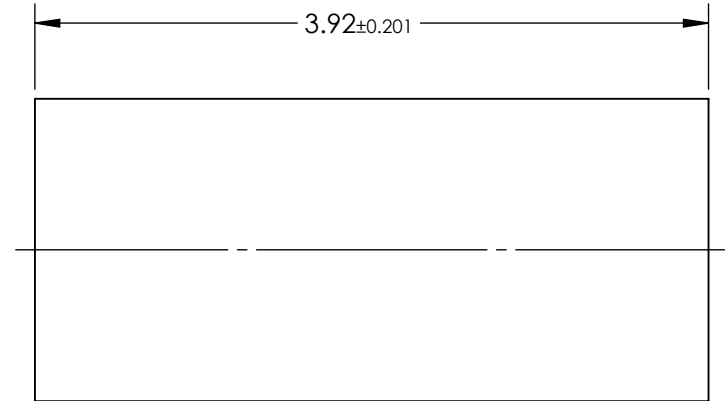
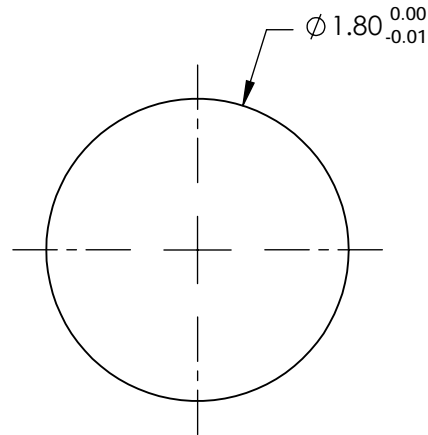


NOTES:

1. SUBSTRATE:
Alumosilicate Glass Embedded with Silver Ions
2. COATING (APPLY ACROSS COATING APERTURE)
S1 & S2: BBAR (1310-1550nm)
R(AVG) < 0.5%, 0 - 30°
3. EFL: 1.72
4. f/# : 0.96
5. NUMERICAL APERTURE: 0.51
6. DESIGN WAVELENGTH: 1550nm
7. WORKING DISTANCE: 0.23mm ±0.02
8. ROHS: COMPLIANT



**FOR INFORMATION ONLY:
DO NOT MANUFACTURE
PARTS TO THIS DRAWING**

SPECIFICATIONS SUBJECT TO CHANGE WITHOUT NOTICE
DIMENSIONS ARE FOR REFERENCE ONLY

EO® Edmund Optics®

	S1	S2	THIRD ANGLE PROJECTION		TITLE	1.8mm Dia, 1550nm DWL, 0.23mm WD, NIR Coated, GRIN Lens	
SHAPE	PLANO	PLANO	ALL DIMS IN	mm	DWG NO	64550	SHEET 1 OF 1
SURFACE QUALITY	40-20	40-20					
CLEAR APERTURE	Ø1.62	Ø1.62					