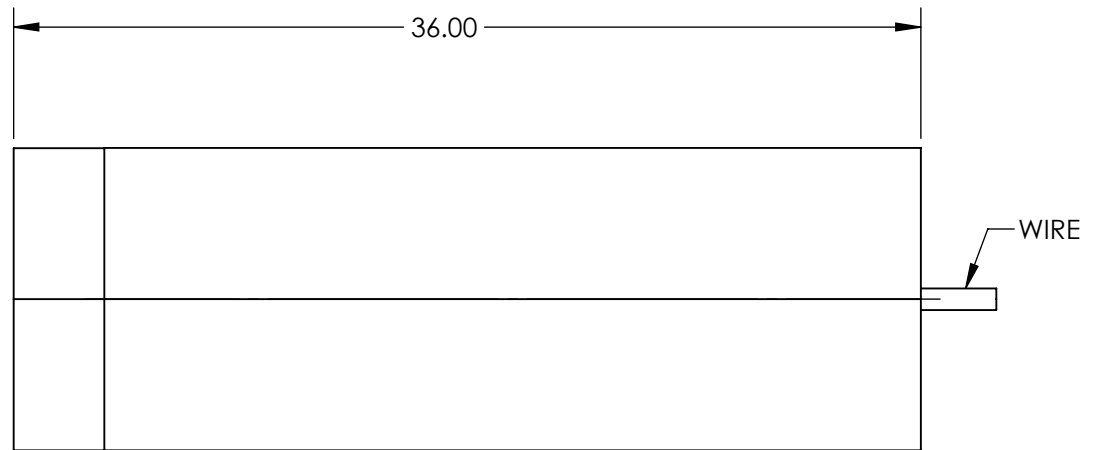
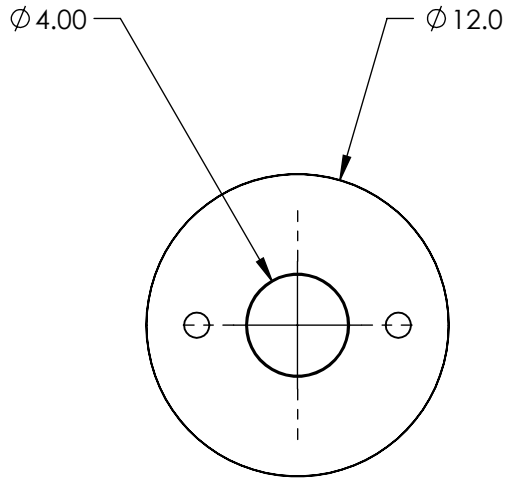
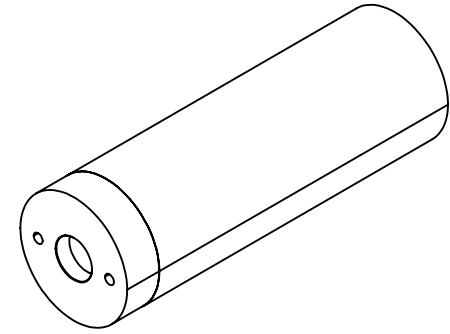


NOTES:

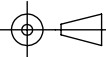
1. LASER CLASS:
IIIb
2. BEAM DIAMETER(mm): 3 x 1 Typical
BEAM DIVERGENCE: Major Axis: 0.4 Minor Axis: 0.2 mrad
3. MODULATION FREQUENCY: 0 - 10 kHz
4. OPERATING TEMPERATURE: -10 to 50 °C
OPERATING VOLTAGE: 5 V
5. OUTPUT POWER: 5 mW
6. WAVELENGTH RANGE: 780 ±5 nm



SPECIFICATIONS SUBJECT TO CHANGE WITHOUT NOTICE
DIMENSIONS ARE FOR REFERENCE ONLY

**FOR INFORMATION ONLY:
DO NOT MANUFACTURE
PARTS TO THIS DRAWING**

EO® Edmund Optics®

THIRD ANGLE PROJECTION 		TITLE	5mW, 780nm Alignment Laser Diode	
ALL DIMS IN	mm	DWG NO	37036	SHEET 1 OF 1