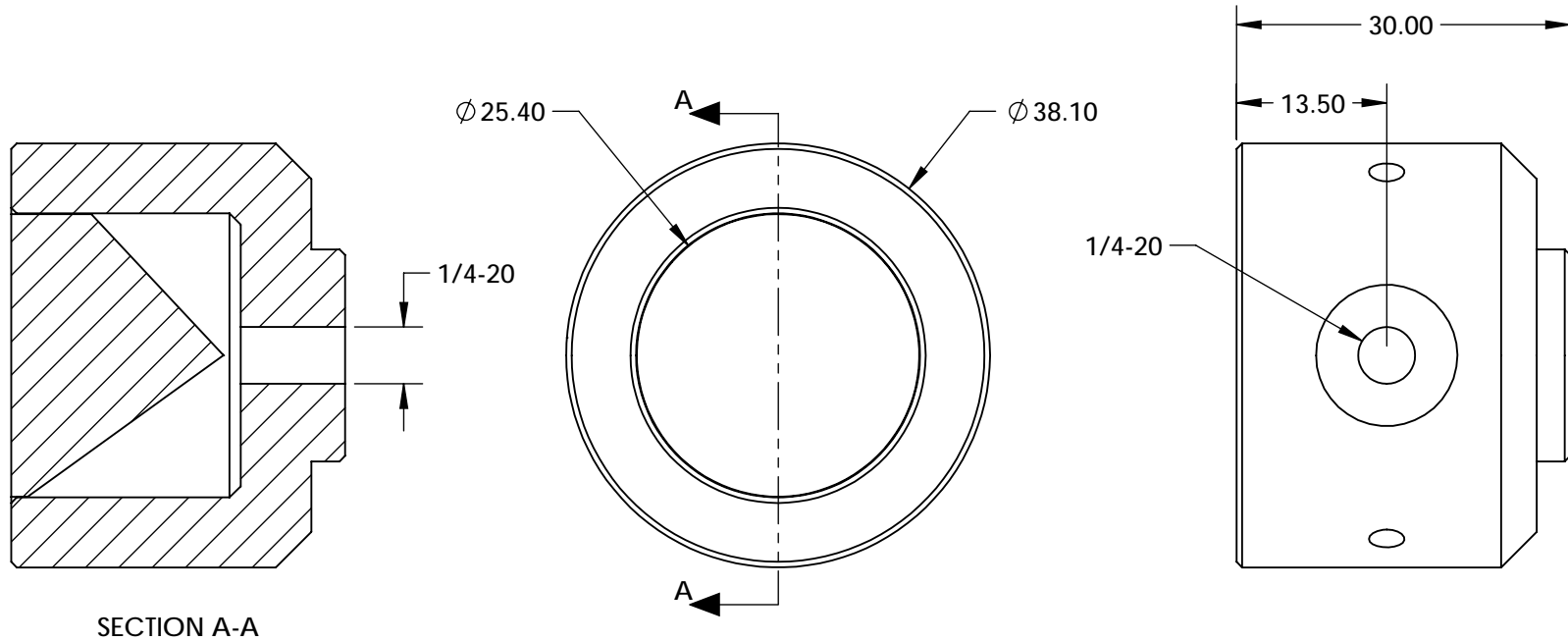


NOTES:

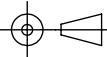
1. MATERIAL:
HOUSING: BLACK ANODIZED ALUMINUM
CORNER CUBE: N-BK7
2. COATING SPECIFICATION (APPLY ACROSS CLEAR APERTURE)
REFLECTIVE SURFACES: R(ABS) > 97% @ 400 - 2500nm @ 0° AOI
R(AVG) > 98% @ 400 - 2500nm @ 0° AOI
ENTRANCE: R(AVG) ≤ 0.4% @ 425 - 675nm
3. RoHS: COMPLIANT



SPECIFICATIONS SUBJECT TO CHANGE WITHOUT NOTICE
DIMENSIONS ARE FOR REFERENCE ONLY

EO® Edmund Optics®

**FOR INFORMATION ONLY:
DO NOT MANUFACTURE
PARTS TO THIS DRAWING**

THIRD ANGLE PROJECTION 		TITLE	25.4mm SILVER AND VIS 0° COATED, MOUNTED CORNER CUBE RETROREFLECTOR	
ALL DIMS IN	mm	DWG NO	12217	SHEET 1 OF 1