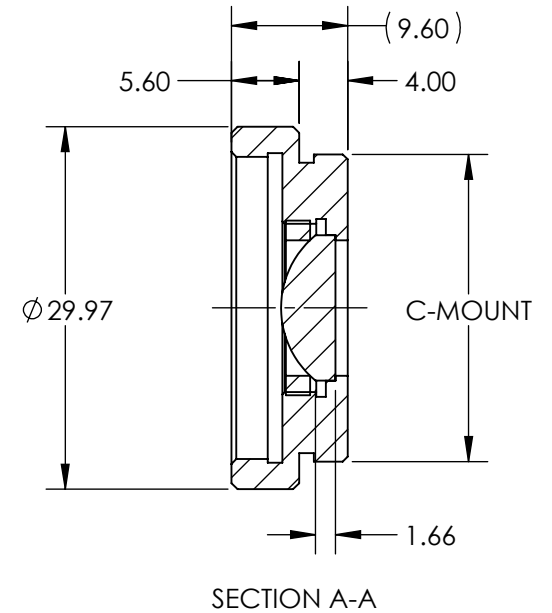
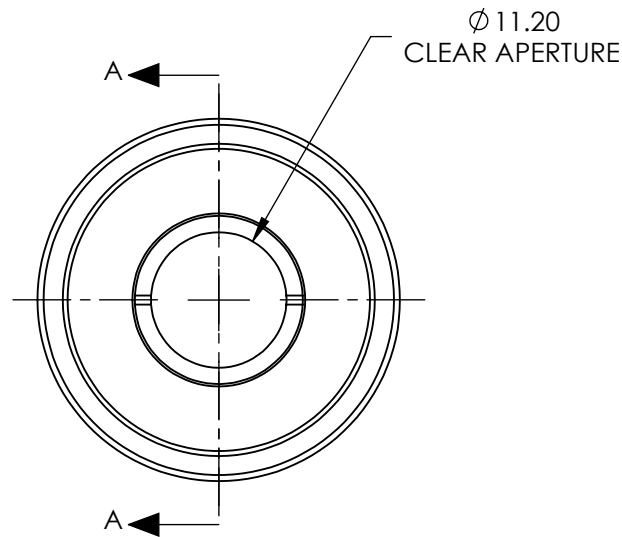


NOTES:

1. SUBSTRATE:
N-BK7
2. ROHS COMPLIANT
3. COATING (APPLY ACROSS COATING APERTURE)
S1 & S2: MgF2 (400-700nm)
R(AVG) ≤ 1.75% @ 400 - 700nm
4. FOCAL LENGTH (EFL): 15.00 ± 1 %
FOCAL LENGTH (BFL) FROM MECHANICAL HOUSING: 11.03
5. LENS INCLUDED: #45-303
MOUNT INCLUDED: #54-615

**FOR INFORMATION ONLY:
DO NOT MANUFACTURE
PARTS TO THIS DRAWING**



SPECIFICATIONS SUBJECT TO CHANGE WITHOUT NOTICE
DIMENSIONS ARE FOR REFERENCE ONLY

	S1	S2
SHAPE	CONVEX	PLANO
RADIUS	7.75	INFINITY
SURFACE QUALITY	40-20	40-20
POWER AT 632.8nm	1.5λ	1.5λ
IRREGULARITY AT 632.8nm	λ/4	λ/4

THIRD ANGLE
PROJECTION

ALL DIMS IN

mm

EO® **Edmund Optics**®

TITLE

11.2mm CA, 15mm FL, Mounted MgF2
Coated Plano-Convex Lens

DWG NO

12914

SHEET
1 OF 1