

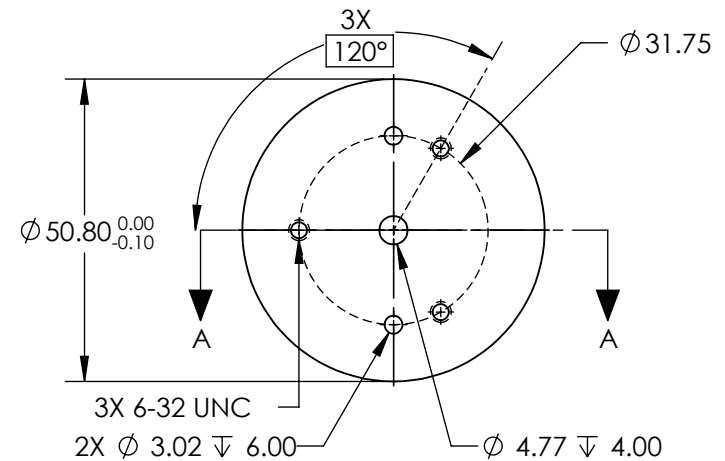
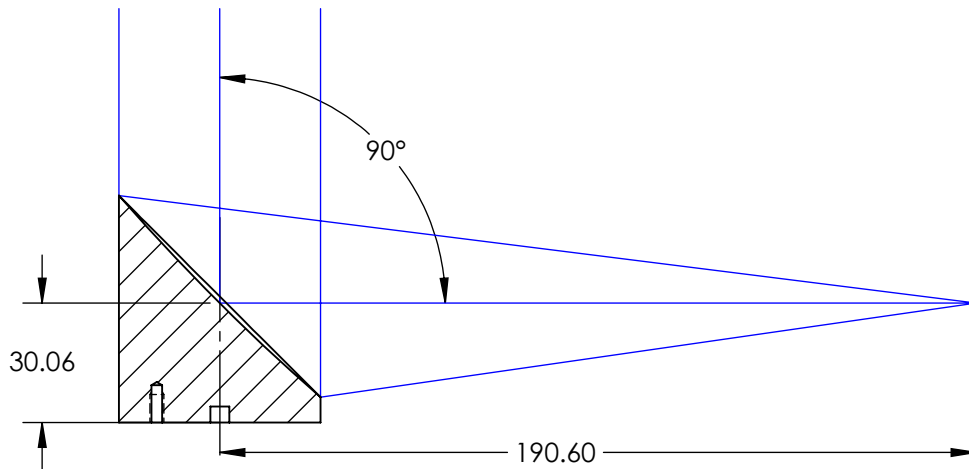
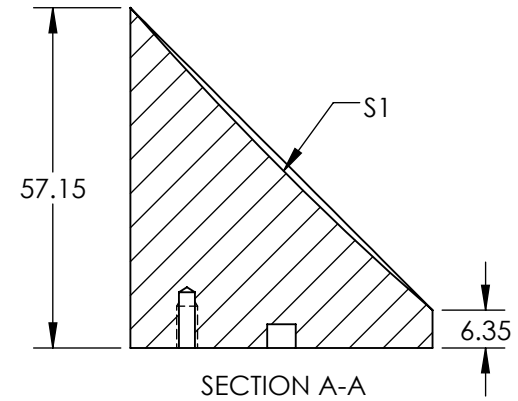
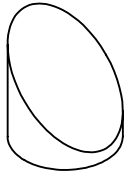
NOTES:

1. SUBSTRATE MATERIAL:
ALUMINUM
2. FINISH (EXCEPT SURFACE S1):
BLACK ANODIZED
3. COATING (APPLY ACROSS CLEAR APERTURE)
S1: DIELECTRIC MIRROR (1064nm)
R(AVG) >99.5% @ 1064nm

SURFACE ROUGHNESS: <math><50 \text{ \AA}</math> RMS

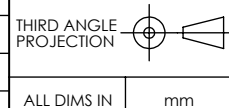
4. FOCAL LENGTH TOLERANCE: $\pm 1\%$
5. ROHS COMPLIANT

**FOR INFORMATION ONLY:
DO NOT MANUFACTURE
PARTS TO THIS DRAWING**



SPECIFICATIONS SUBJECT TO CHANGE WITHOUT NOTICE
DIMENSIONS ARE FOR REFERENCE ONLY

REV. A	S1
SHAPE	PARABOLIC
SURFACE FIGURE AT 632.8nm (RMS)	$\lambda/8$
CLEAR APERTURE	90%
BEVEL	PROTECTIVE AS NEEDED



EO® Edmund Optics®

TITLE

50.8mm Dia. x 190.6mm EFL, 1064nm
DIELECTRIC OFF-AXIS PARABOLIC MIRROR

DWG NO

15384

SHEET
1 OF 1