

NOTES:

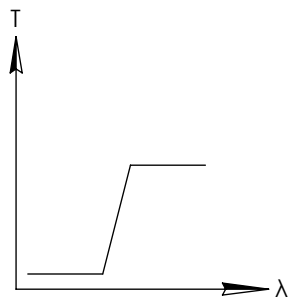
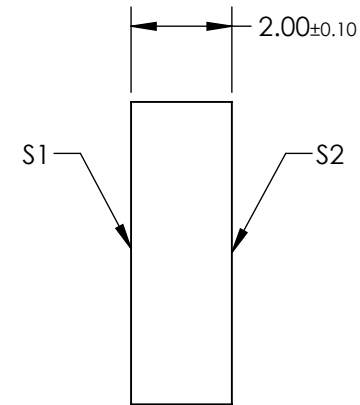
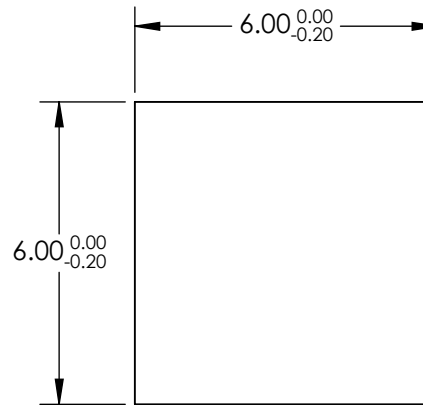
1. SUBSTRATE: BOROFLOAT33
2. COATING

DURABILITY:  
 PHYSICAL: MIL-C-48497A, SECTION 3.4.1  
 ENVIRONMENTAL: MIL-STD-810F, SECTION 507.4

PERFORMANCE SPECIFICATIONS @ 0° AOI  
 T(AVG): ≥85% FROM 840 - 1600nm  
 T(AVG): ≤1% FROM 500 - 765nm  
 CUT-ON WAVELENGTH: T(ABS) = 50% @ 800nm ± 16nm

3. ROHS COMPLIANT

**FOR INFORMATION ONLY:  
DO NOT MANUFACTURE  
PARTS TO THIS DRAWING**



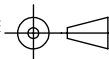
LONGPASS FILTER

SPECIFICATIONS SUBJECT TO CHANGE WITHOUT NOTICE  
 DIMENSIONS ARE FOR REFERENCE ONLY



	S1	S2
SHAPE	PLANO	PLANO
SURFACE QUALITY	60-40	60-40
CLEAR APERTURE	5.40 x 5.40	5.40 x 5.40
BEVEL	PROTECTIVE AS NEEDED	PROTECTIVE AS NEEDED

THIRD ANGLE PROJECTION



ALL DIMS IN

mm

TITLE	FILTER OD2 LONGPASS 800nm 6mm x 6mm		
DWG NO	15206	SHEET 1 OF 1	