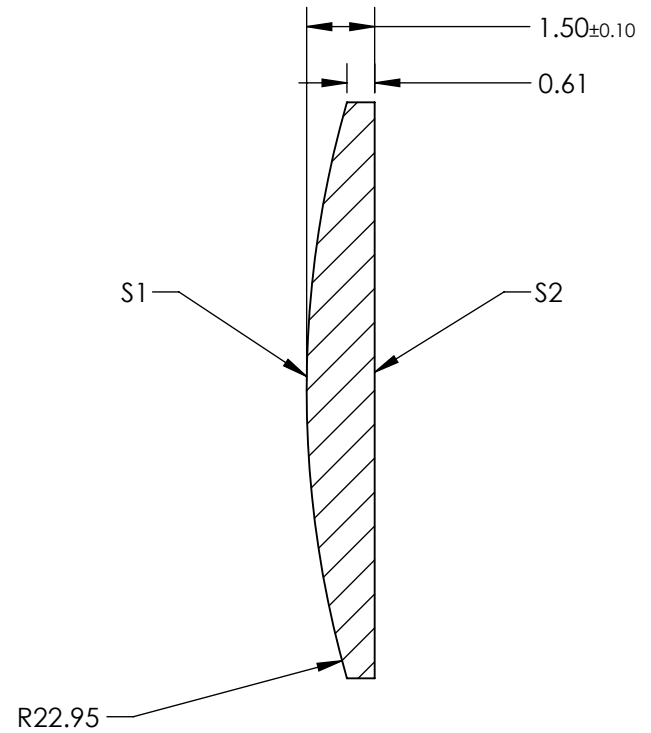
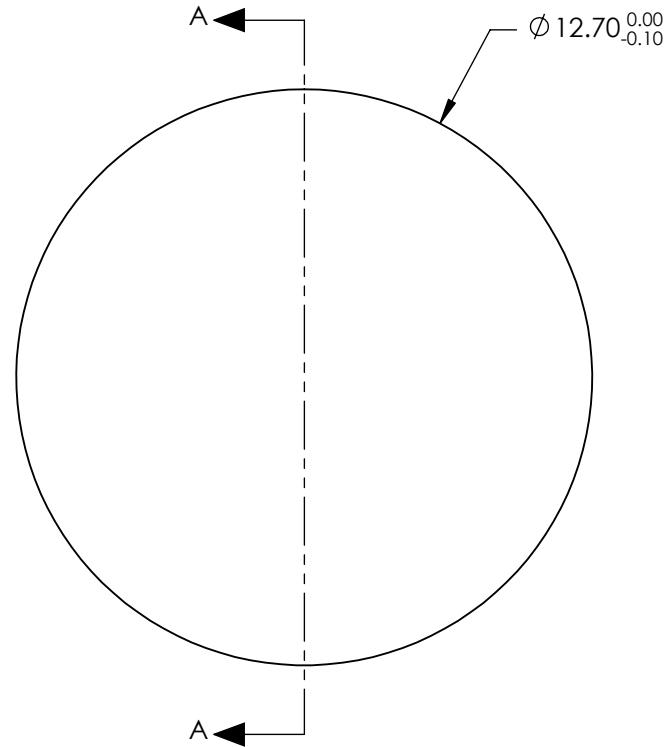
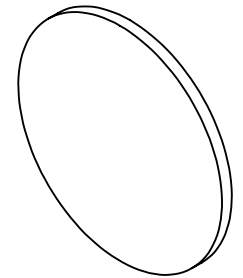


NOTES:

1. SUBSTRATE: IR GRADE FUSED SILICA
2. COATING:
S1 & S2: R(AVG) ≤ 0.5% FROM 350-700nm @ 0° AOI
3. CENTERING: < 3 ARCMIN
4. RoHS: COMPLIANT



SECTION A-A

SPECIFICATIONS SUBJECT TO CHANGE WITHOUT NOTICE
DIMENSIONS ARE FOR REFERENCE ONLY

**FOR INFORMATION ONLY:
DO NOT MANUFACTURE
PARTS TO THIS DRAWING**

	S1	S2
SHAPE	CONVEX	PLANO
SURFACE QUALITY	20-10	20-10
CLEAR APERTURE	Ø11.43	Ø11.43
BEVEL	PROTECTED AS NEEDED	PROTECTED AS NEEDED



ALL DIMS IN

mm



Edmund Optics®

TITLE

12.7mm Diameter x 50mm FL, 350-700nm,
Ultrafast Thin PCX Lens

DWG NO

22633

SHEET
1 OF 19