

2X COUNTERBORE
FOR M4 OR #8 SCREW

ØM6 X 1.0

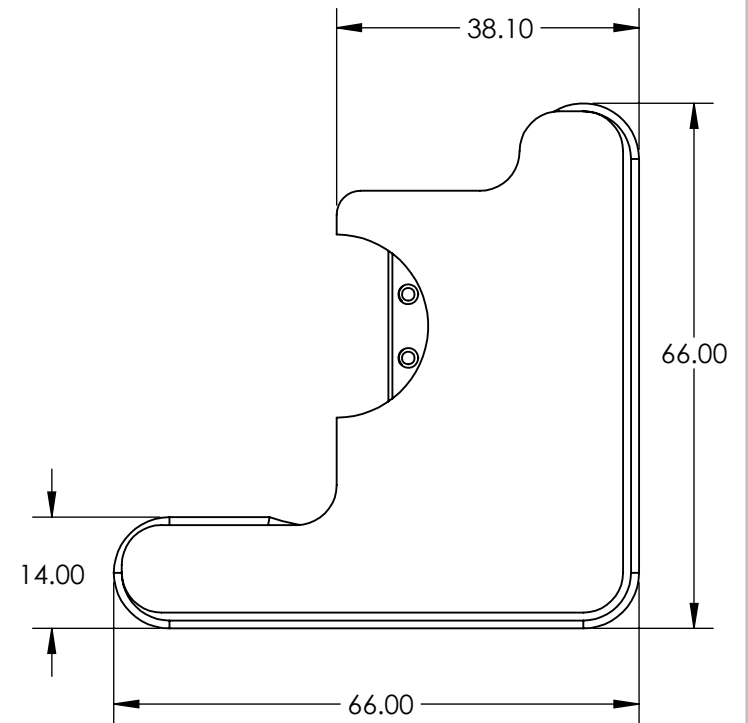
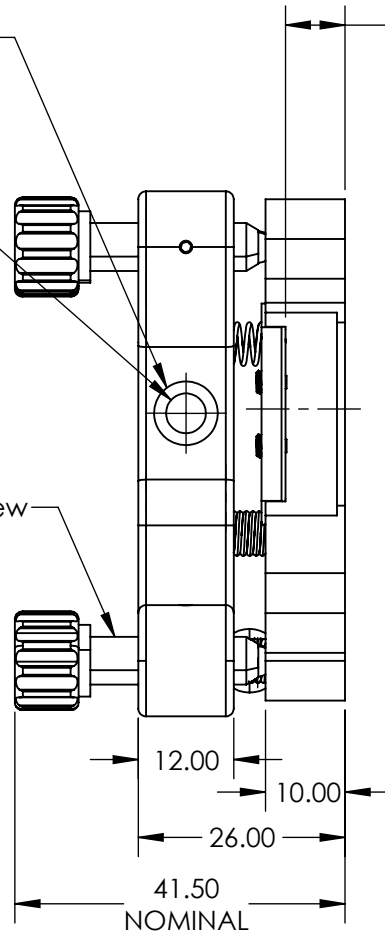
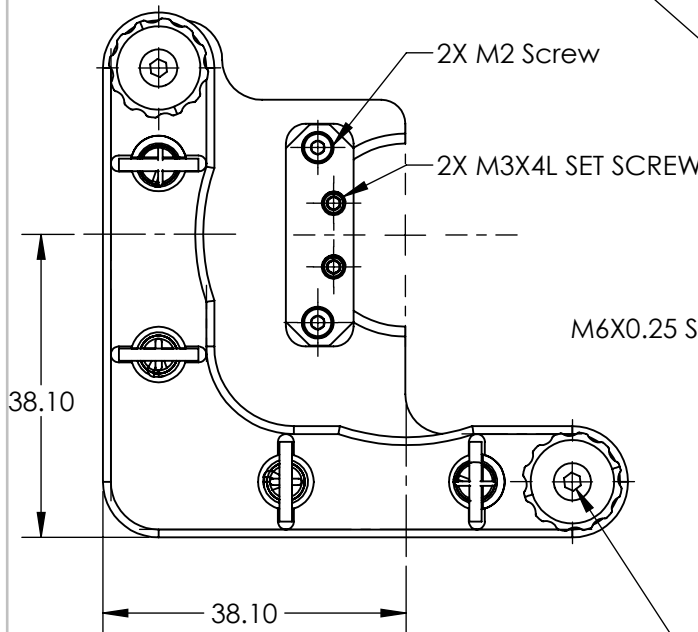
2X M2 Screw

2X M3X4L SET SCREW

M6X0.25 Screw

2X 2mm HEX SIZE

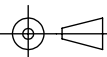
MAXIMUM THICKNESS OF OPTICS 7.0 MM



**FOR INFORMATION ONLY:
DO NOT MANUFACTURE
PARTS TO THIS DRAWING**

SPECIFICATIONS SUBJECT TO CHANGE WITHOUT NOTICE
DIMENSIONS ARE FOR REFERENCE ONLY

EO® Edmund Optics®

THIRD ANGLE PROJECTION 		TITLE	E-Series Kinematic Mount for Ø1" D-Shaped Mirrors	
ALL DIMS IN	mm	DWG NO	21063	SHEET 1 OF 1