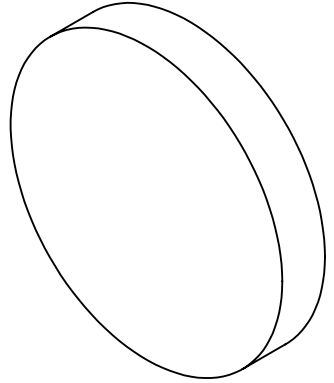
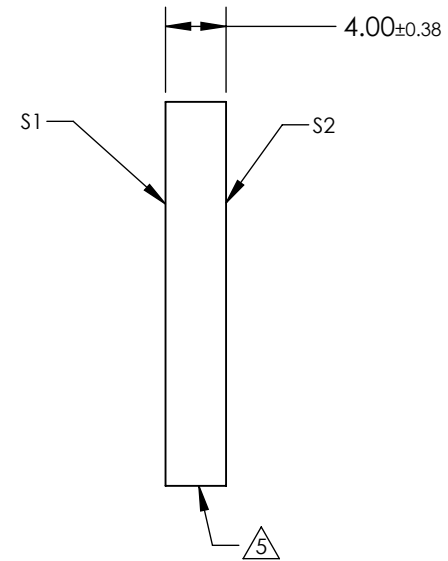
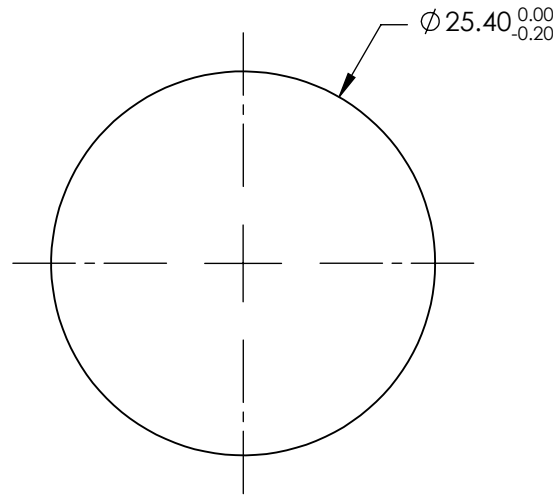


NOTES:

1. SUBSTRATE: Fused Silica (Corning 7980)
2. RoHS COMPLIANT
3. SURFACE S2 TO BE PARALLEL WITH SURFACE S 1 TO WITHIN ACRMINS
4. Coating (Apply Across Clear Aperture):
S1 & S2: Ravg ≤0.5% @ 350 - 700nm



5. FINE GROUND SURFACE



**FOR INFORMATION ONLY:
DO NOT MANUFACTURE
PARTS TO THIS DRAWING**

SPECIFICATIONS SUBJECT TO CHANGE WITHOUT NOTICE
DIMENSIONS ARE FOR REFERENCE ONLY

	S1	S2
Shape	Plano	Plano
Surface Accuracy	1λ	1λ
Surface Quality	60-40	60-40
Clear Aperture	22.86	22.86
Bevel	Protected as Needed	Protected as Needed



ALL DIMS IN mm



TITLE 25.4mm Dia. 4mm Thick VIS-EXT Coated, 1λ Fused Silica Window

DWG NO 25331