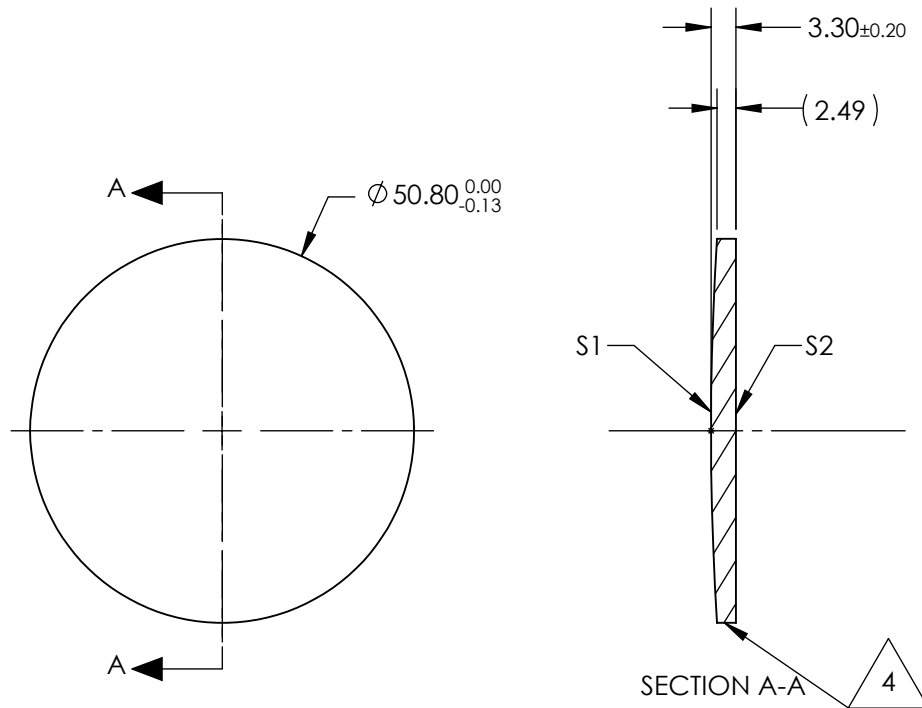



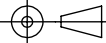
NOTES:

1. SUBSTRATE:
Calcium Fluoride, IR Grade (CaF₂)
2. CENTERING TOLERANCE:
<3 ARCMIN
3. COATING (APPLY ACROSS CLEAR APERTURE)
S1 & S2: NONE
4. FINE GRIND SURFACE
5. FOCAL LENGTH TOLERANCE: ±2%
6. ROHS COMPLIANT



**FOR INFORMATION ONLY:
DO NOT MANUFACTURE
PARTS TO THIS DRAWING**

SPECIFICATIONS SUBJECT TO CHANGE WITHOUT NOTICE
DIMENSIONS ARE FOR REFERENCE ONLY

	S1	S2	EFL @ 5µm	1000.0	 Edmund Optics®	
SHAPE	CONVEX	PLANO	BFL @ 5µm	1000		
RADIUS	399.9	INFINITY			TITLE	50.8mm Dia. x 1000mm FL, Uncoated, ISP Optics Calcium Fluoride (CaF ₂) PCX Lens
IRREGULARITY AT 632.8nm	λ	λ			ALL DIMS IN	mm
SURFACE QUALITY	60-40	60-40				SHEET 1 OF 1
CLEAR APERTURE	ø45.72	ø45.72				
BEVEL	PROTECTED AS NEEDED	PROTECTED AS NEEDED				