

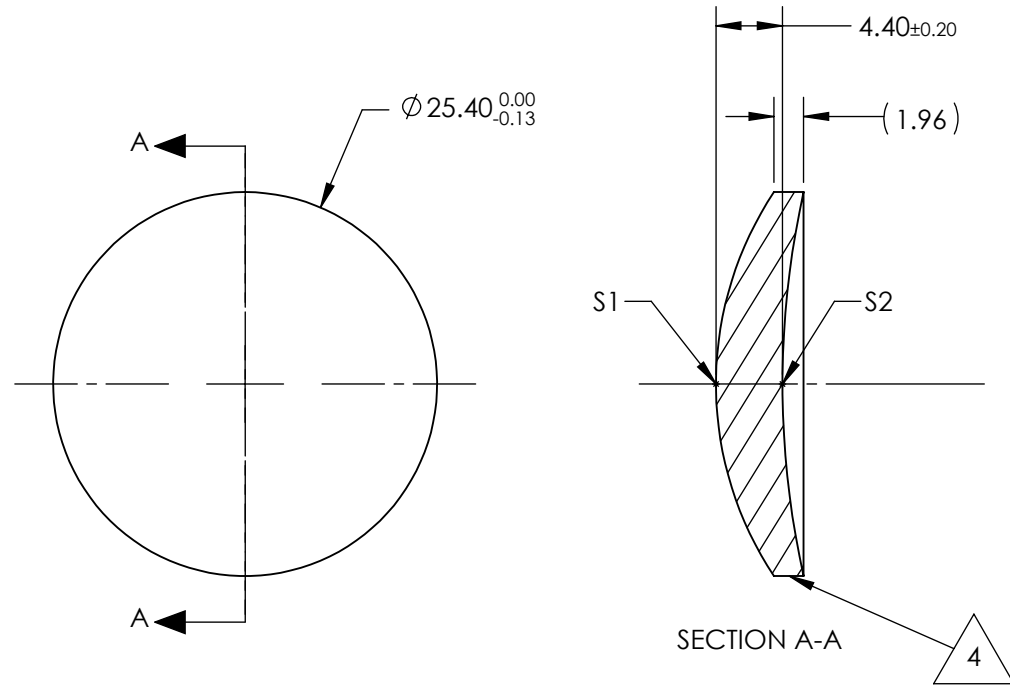
NOTES:

1. SUBSTRATE:
Zinc Selenide (ZnSe), CVD Grade
2. CENTERING TOLERANCE:
<3 ARCMIN
3. COATING (APPLY ACROSS CLEAR APERTURE)
S1 & S2: R(AVG) <0.5% @ 8 - 12µm
R(ABS) <1% @ 8 - 12µm


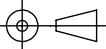
4. FINE GRIND SURFACE

5. FOCAL LENGTH TOLERANCE: ±2%

6. ROHS COMPLIANT



**FOR INFORMATION ONLY:
DO NOT MANUFACTURE
PARTS TO THIS DRAWING**

	S1	S2	EFL @ 10.6µm	25.4	SPECIFICATIONS SUBJECT TO CHANGE WITHOUT NOTICE DIMENSIONS ARE FOR REFERENCE ONLY		
SHAPE	CONVEX	CONCAVE	BFL @ 10.6µm	22.27			 Edmund Optics® 25.4mm Dia. x 25.4mm FL, 8 - 12µm BBAR Coated, ISP Optics Zinc Selenide (ZnSe) Meniscus Lens
RADIUS	22.91	58.34	THIRD ANGLE PROJECTION		TITLE		
IRREGULARITY AT 10.6µm	λ/20	λ/20	ALL DIMS IN	mm	DWG NO	24932	SHEET 1 OF 1
SURFACE QUALITY	60-40	60-40					
CLEAR APERTURE	ø22.86	ø22.86					
BEVEL	PROTECTED AS NEEDED	PROTECTED AS NEEDED					