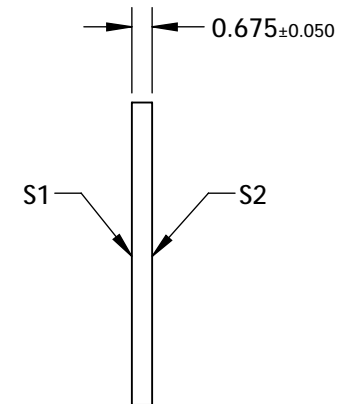
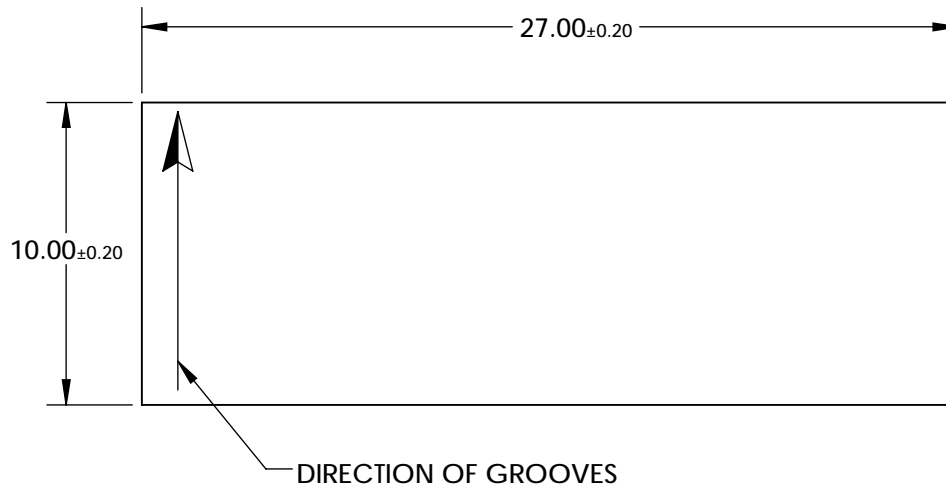
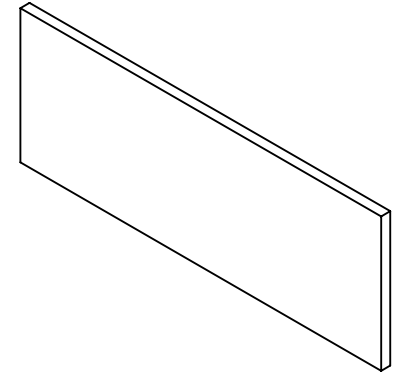


NOTES:

1. SUBSTRATE MATERIAL:
FUSED SILICA
2. COATING:
S1: SURFACE ETCHED MULTI-LAYER DIELECTRIC GRATING
S2: ANTI-REFLECTION (AR)
3. WAVELENGTH RANGE: 1275 - 1345nm
ANGLE OF INCIDENCE: $52 \pm 1^\circ$
GROOVE DENSITY: 1201.2 GROOVES/mm
GROOVE UNIFORMITY: 0.001 GROOVES/mm
4. RoHS COMPLIANT



**FOR INFORMATION ONLY:
DO NOT MANUFACTURE
PARTS TO THIS DRAWING**

SPECIFICATIONS SUBJECT TO CHANGE WITHOUT NOTICE
DIMENSIONS ARE FOR REFERENCE ONLY

	S1	S2
SHAPE	PLANO	PLANO
SURFACE QUALITY	60-40	60-40
CLEAR APERTURE	26.00 x 9.00	26.00 x 9.00
BEVEL	PROTECTED AS NEEDED	PROTECTED AS NEEDED



ALL DIMS IN mm

EO® **Edmund Optics**®

TITLE	II-VI LightSmyth™ 1275 - 1345nm, 1201.2 Grooves/mm, 27 x 10 mm, ≥90% Efficiency, Transmission Diffraction Grating	
DWG NO	28908	SHEET 1 OF 1